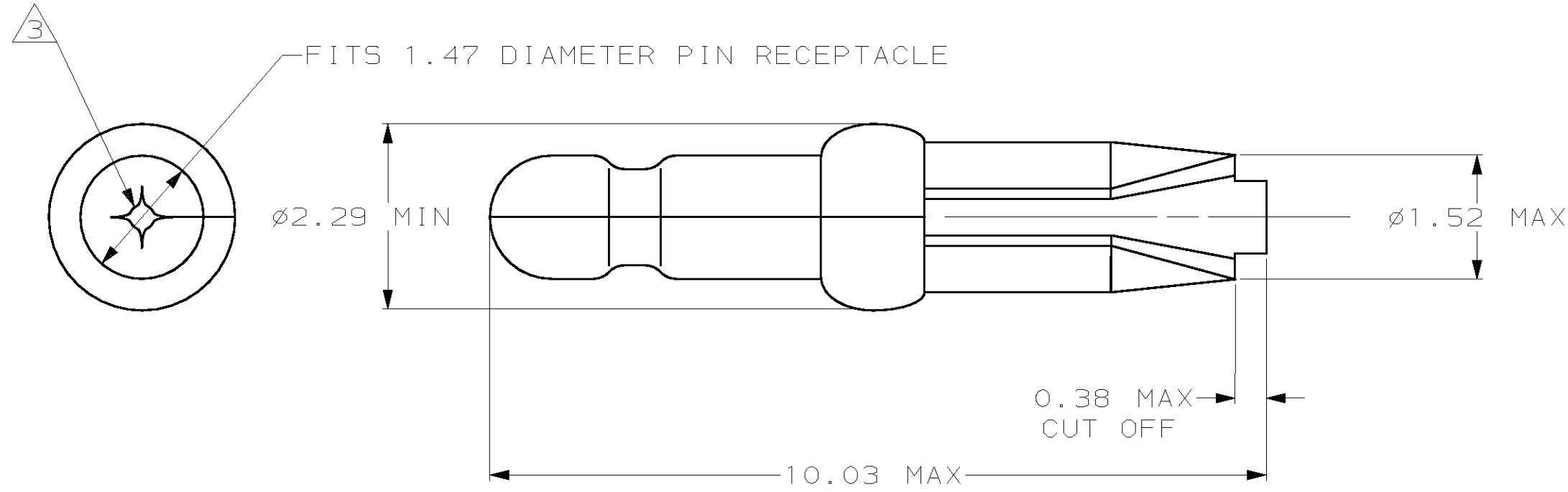
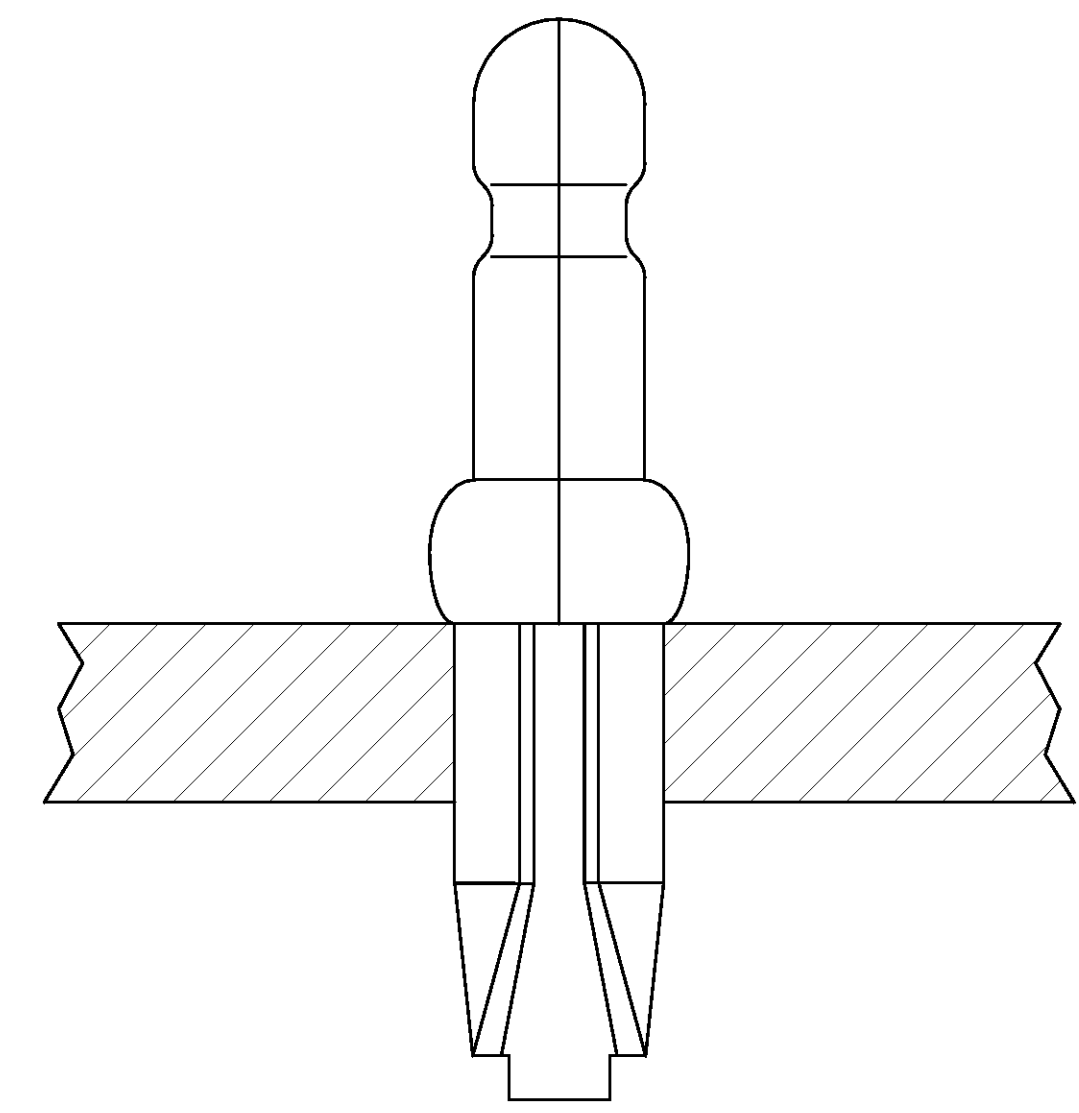
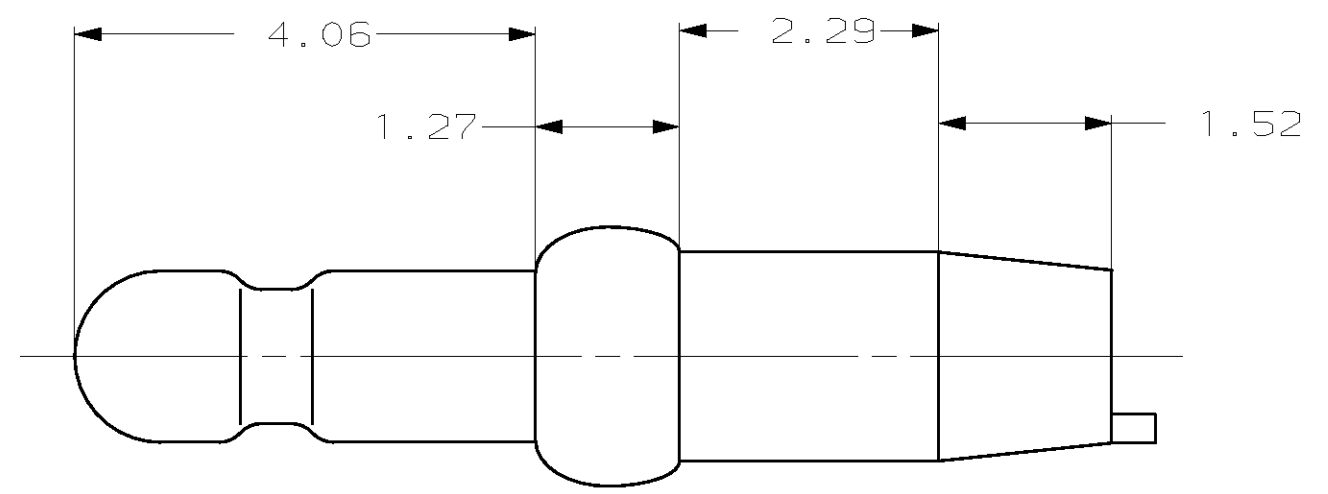


THIS DRAWING IS UNPUBLISHED. RELEASED FOR PUBLICATION .19
 (C) COPYRIGHT 19 BY AMP INCORPORATED. ALL RIGHTS RESERVED.

LOC		DIST		REVISIONS			
P	LTR	DESCRIPTION	DATE	DWN	APVD		
CM	52	AG	REV & REDWN PER EC 0L30-0176-97	8-21-97	TB	RS	



- FITS 1.68 - 1.78 DIAMETER HOLE IN A 1.57 OR 2.36 PRINTED CIRCUIT BOARD.
 - PARTS TO COMPLY WITH AMP SOLDERABILITY SPECIFICATION 109-11-3.
- △ 0.05 - 0.25 DIAMETER OPENING REQUIRED IN TIP OF PIN.



PRE TIN FINISH	61018-1 PART NUMBER
----------------	---------------------

MM	IN	MM	IN	MM	IN	MM	IN
0.38	.015	1.57	.062	2.36	.093	-	-
0.25	.010	1.52	.060	2.29	.090	-	-
0.13	.005	1.47	.058	1.78	.070	10.03	.395
0.05	.002	1.27	.050	1.68	.066	4.06	.160

CONVERSION TABLE

METRIC

THIS DRAWING IS A CONTROLLED DOCUMENT.

DIMENSIONS: mm	TOLERANCES UNLESS OTHERWISE SPECIFIED:	DWN T. BECK 8-21-97	AMP Incorporated Harrisburg, PA 17105-3608
	0 PLC ±-	CHK R. SWING 8-21-97	AMP PIN, .058 DIAMETER, PHOSPHOR BRONZE, PRESS FIT, LOOSE PIECE, P.C. CONTACT
	1 PLC ±-	APVD A. BEDDICK 9-10-97	
	2 PLC ±0.13	PRODUCT SPEC 108-1025	
	3 PLC ±-	APPLICATION SPEC 114-1008	
MATERIAL 0.25 PH BRZ	FINISH SEE TABLE	WEIGHT -	RESTRICTED TO -
CUSTOMER DRAWING		SCALE 15:1	SHEET 1 OF 1 REV AG

61018